

e|LINE™ Premium

**NEMA**  
**Premium**®

*The Best Motor Choice*



**USMOTORS**

**e|LINE™ Premium**

**Motor IP55**

Chemical Resistant Paint

Cast Iron fan cover guard

Zinc coated hardware

Large Cast Iron and Sealed conduit box

Large stainless steel "50-60Hz" Nameplate

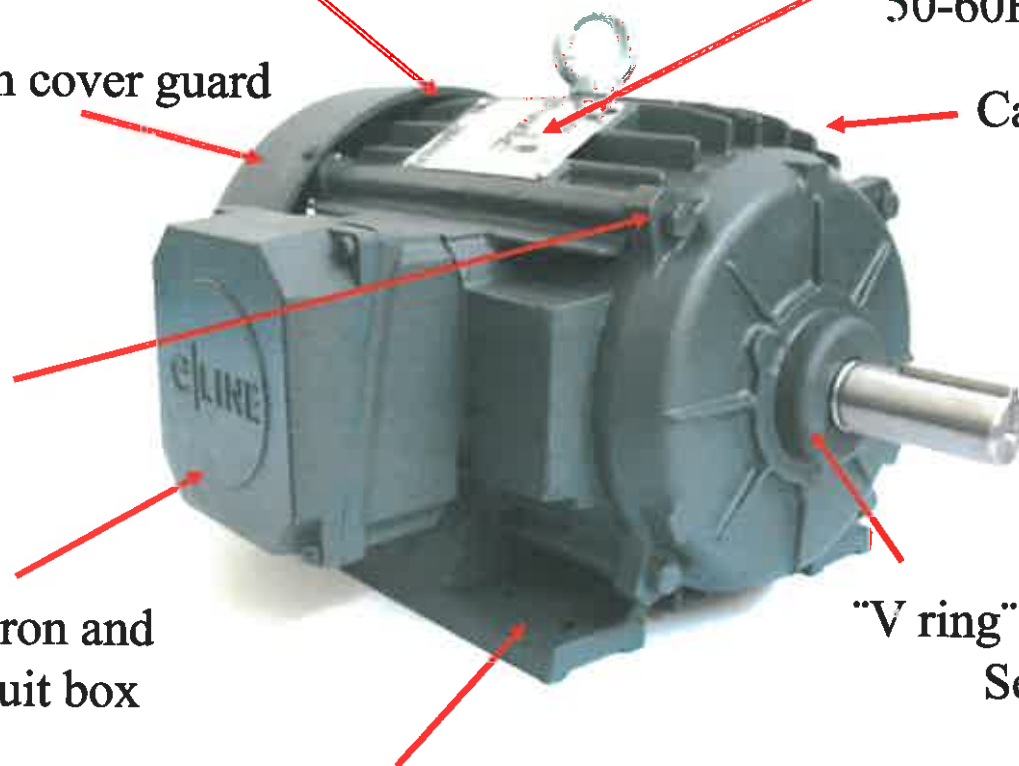
Cast Iron Frame

"V ring" with umbrella Seal cover

Double drilled base for F1-F2 mounting : Frame 140-210

**NEMA  
Premium®**

**USMOTORS**



**e|LINE™ Premium**

**Motor Plus**

Vacuum Pressure Impregnated  
Insulation "VPI"

Suitable for Variable  
Frequency Operation

"C face" Available

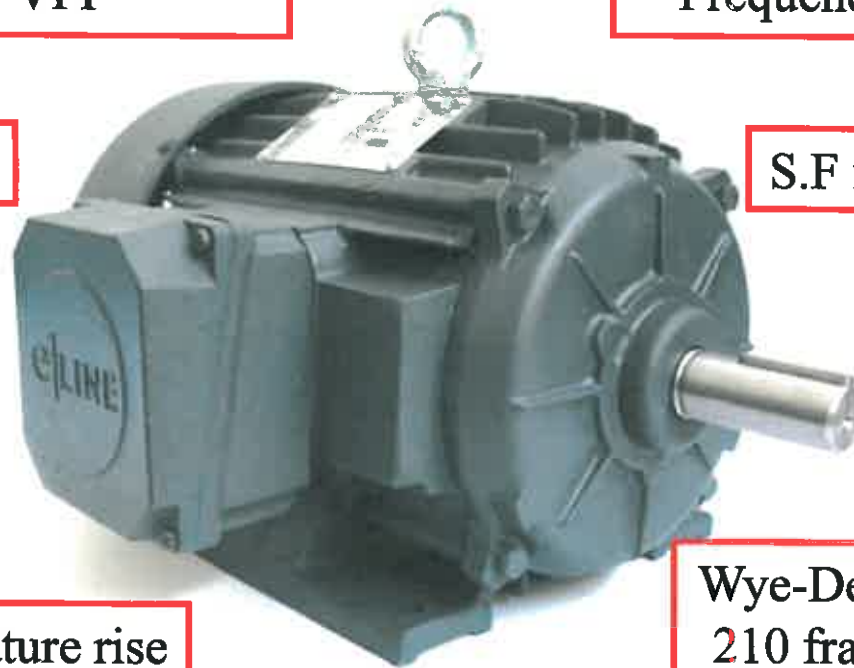
S.F from 1.2 to 1.4

Nema Design B  
with Design C  
capability

Very low Temperature rise

Wye-Delta suitable on  
210 frame and larger

Same size Double Shielded Bearings on both Ends

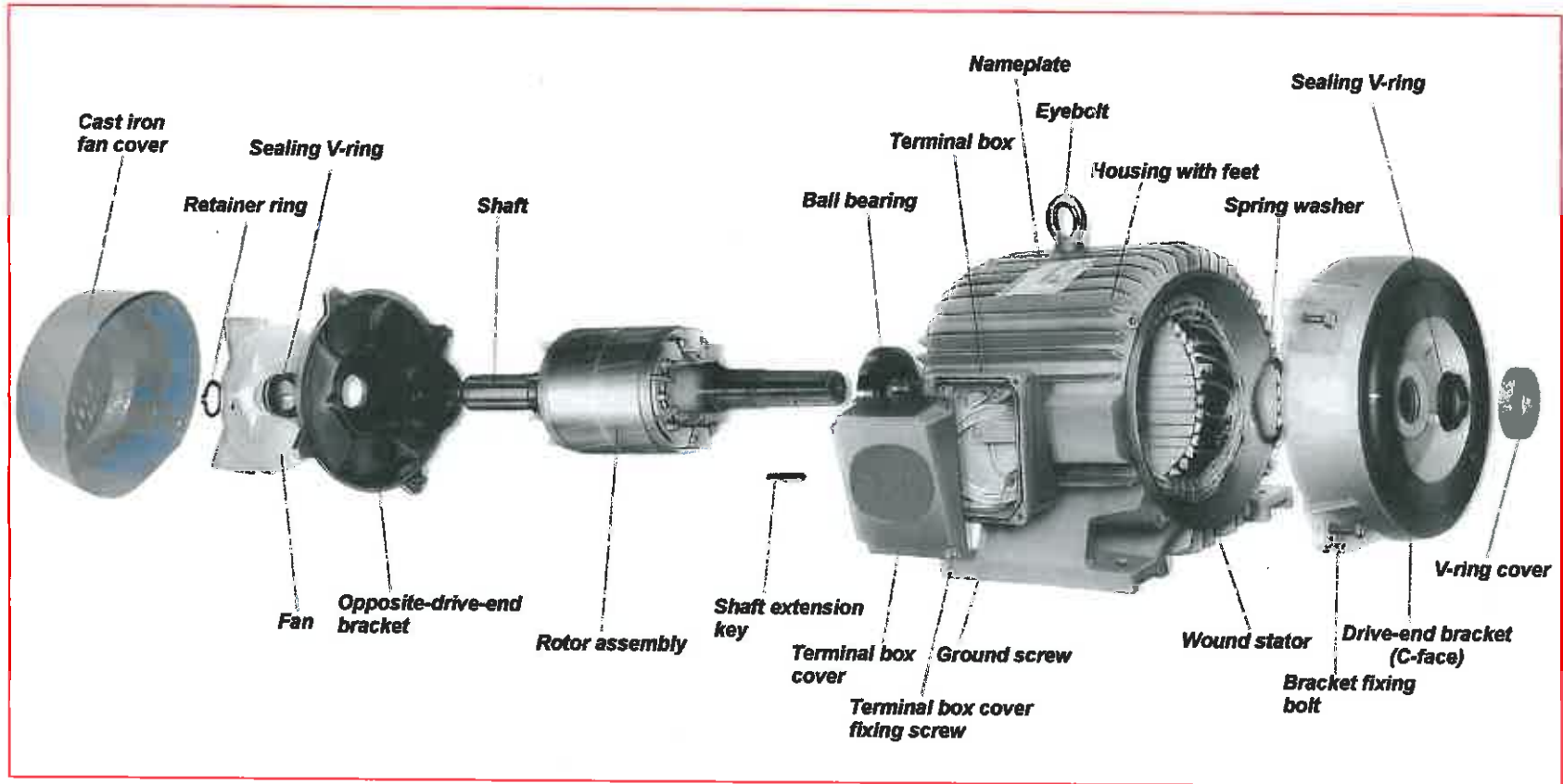


**NEMA**  
**Premium®**

**USMOTORS**



- **Inverter Capable Insulation System**  
NEMA MG-1 Part 31
  - ❖ **Speed Range**
    - 10:1 Constant Torque
    - 20:1 variable Torque
- **Operating @ 60Hz and 50 Hz without HP derating**
  - 208-230/460 V 60 Hz motor
    - 190-380 v 60 HZ
    - 190-380-400-415 v 50Hz
  - 575Volts 60 Hz motor
    - 460v 50Hz
- **VPI (Vacuum Pressure Impregnation)**
  - Varnish class H
  - Insulation system Class F
  - Temperature rise Class B or better



	Hz	60	50	CATALOG			
	HP			kW	MODEL		TYPE ELP
	RPM			FRAME		PH 3	INS.CL. F
V				DUTY:	CONTINUOUS	AMB	40 °C
A				WT		Lbs	ENCL TE-IP55
max KVAR				SERIAL No		ID	
SF				CE	DE/ODE BRG		
SFA							
nom PF				SP®	CSA*		
nom EFF				C US	E		
gar EFF				Suitable for Class I Div 2 T2B & VFD Operation			
DESIGN				<b>NEMA Premium®</b>		<b>e LINE™</b>	
CODE				<b>USMOTORS</b>			

RNG-49-201

FABRIQUÉ EN POLOGNE MADE IN POLAND



**GENERAL PURPOSE  
THREE PHASE, TEFC SEVERE DUTY  
PREMIUM EFFICIENT - ALL CAST IRON**

**e|LINE™ Premium**



**APPLICATIONS :**

Designed for severe duty environments found in the pulp & paper, lumber, aggregates, mining, chemical and other industries.

**FEATURES:**

- \* Fully comply with EISA and NRCan efficiency standards
- \* Inverter Grade® insulation system to meet NEMA MG-1 Part 31 Specification
- \* 40°C ambient, continuous duty
- \* Double shielded bearings of same size on both ends
- \* Double drilled feet to accommodate mounting flexibility
- \* VPI, Class F insulation system, B rise at full load on sine wave power
- \* Nema® design B performance
- \* Shaft seal V-ring for IP55 protection
- \* Lifting provisions
- \* Field convertible to F-2 mounting
- \* Suitable for wye-delta start on 210T frame and larger
- \* Corrosion resistant mill & chemical duty paint
- \* Stainless steel nameplate and zinc plated hardware
- \* Dual Voltage nameplated @ 60Hz and 50 Hz
- \* Full 50 Hz power at rated HP
- \* Div 2 Nameplated
- \* DOE Compliance Certification .
- \* CE mark on nameplate
- \* CSA® 390 Certified
- \* UL® Component Recognized
- \* Field convertible C flange kits available



HP	RPM	Frame	Type	208-230/460 Volt		575Volt		DS-Sym	S.F	Weight	Note	List
				Cat #	M/N	Cat #	M/N					
1	1800	143T	ELP	ELP1P2D	EL101	ELP1P2G	EM101	3ELPC	1.4	61	C	450
	1200	145T	ELP	ELP1P3D	EL102	ELP1P3G	EM102	3ELPC	1.4	64		530
1.5	3600	143T	ELP	ELP32P1D	EL103	ELP32P1G	EM103	3ELPC	1.4	62		480
1.5	1800	145T	ELP	ELP32P2D	EL104	ELP32P2G	EM104	3ELPC	1.4	65	C	480
	1200	182T	ELP	ELP32P3D	EL105	ELP32P3G	EM105	3ELPC	1.4	98		650
2	3600	145T	ELP	ELP2P1D	EL106	ELP2P1G	EM106	3ELPC	1.4	65		530
	1800	145T	ELP	ELP2P2D	EL107	ELP2P2G	EM107	3ELPC	1.4	67		530
	1200	184T	ELP	ELP2P3D	EL108	ELP2P3G	EM108	3ELPC	1.4	111		700
3	3600	182T	ELP	ELP3P1D	EL109	ELP3P1G	EM109	3ELPC	1.4	89		640
	1800	182T	ELP	ELP3P2D	EL110	ELP3P2G	EM110	3ELPC	1.4	115	C	640
	1200	213T	ELP	ELP3P3D	EL111	ELP3P3G	EM111	3ELPC	1.4	220	C	900
5	3600	184T	ELP	ELP5P1D	EL112	ELP5P1G	EM112	3ELPC	1.4	115		750
	1800	184T	ELP	ELP5P2D	EL113	ELP5P2G	EM113	3ELPC	1.3	121	C	750
	1200	215T	ELP	ELP5P3D	EL114	ELP5P3G	EM114	3ELPC	1.3	235	C	1,300
7.5	3600	213T	ELP	ELP7P1D	EL115	ELP7P1G	EM115	3ELPC	1.3	174		1,000
	1800	213T	ELP	ELP7P2D	EL116	ELP7P2G	EM116	3ELPC	1.3	182		1,000
	1200	254T	ELP	ELP7P3D	EL117	ELP7P3G	EM117	3ELPC	1.3	347	C	1,700
10	3600	215T	ELP	ELP10P1D	EL118	ELP10P1G	EM118	3ELPC	1.3	188		1,200
	1800	215T	ELP	ELP10P2D	EL119	ELP10P2G	EM119	3ELPC	1.3	200		1,200
	1200	256T	ELP	ELP10P3D	EL120	ELP10P3G	EM120	3ELPC	1.3	389	C	2,000
15	3600	254T	ELP	ELP15P1D	EL121	ELP15P1G	EM121	3ELPC	1.3	284		1,600
	1800	254T	ELP	ELP15P2D	EL122	ELP15P2G	EM122	3ELPC	1.3	327	C	1,600
	1200	284T	ELP	ELP15P3D	EL123	ELP15P3G	EM123	3ELPC	1.3	398	C	2,500
20	3600	256T	ELP	ELP20P1D	EL124	ELP20P1G	EM124	3ELPC	1.3	332		2,000
	1800	256T	ELP	ELP20P2D	EL125	ELP20P2G	EM125	3ELPC	1.2	416	C	2,000
	1200	286T	ELP	ELP20P3D	EL126	ELP20P3G	EM126	3ELPC	1.2	448	C	3,200
25	3600	284TS	ELP	ELP25P1DS	EL127	ELP25P1GS	EM127	3ELPC	1.2	375		2,400
	1800	284T	ELP	ELP25P2D	EL128	ELP25P2G	EM128	3ELPC	1.2	424	C	2,400
30	3600	286TS	ELP	ELP30P1DS	EL129	ELP30P1GS	EM129	3ELPC	1.2	417		2,800
	1800	286T	ELP	ELP30P2D	EL130	ELP30P2G	EM130	3ELPC	1.2	468	C	2,800

Notes for Design C torque if applicable

**C-FACE KITS :** Kit designed for conversion of standard off-the-shelf motor to accommodate a C-flange mount

Frame	AK Dim	AK Dim	M/N	DS SYM	Weight	Note	List
140	4 1/2	4 1/2	498321	ELPC	2.5	New	90
180	8 1/2	8 1/2	498322	ELPC	3.5		90
210	8 1/2	8 1/2	498323	ELPC	6		100
250	8 1/2	8 1/2	498324	ELPC	9		150
280	10 1/2	10 1/2	498325	ELPC	11		200

Note 40 - Non-standard Nema BA dimension

**GENERAL PURPOSE  
THREE PHASE, TEFC SEVERE DUTY  
PREMIUM EFFICIENT - ALL CAST IRON  
C-FACE, FOOTED**

**e|LINE™ Premium**



**APPLICATIONS :**

Designed for severe duty environments found in the pulp & paper, lumber, aggregates, mining, chemical and other industries.

**FEATURES:**

- \* Fully comply with EISA and NRCan efficiency standards
- \* Inverter Grade® insulation system to meet NEMA MG-1 Part 31 Spec
- \* 40°C ambient, continuous duty
- \* Double shielded bearings of same size on both ends
- \* Double drilled feet to accommodate mounting flexibility
- \* VPI, Class F insulation system, B rise at full load on sine wave power
- \* Nema® design B performance
- \* Shaft seal V-ring for IP55 protection
- \* Lifting provisions
- \* Field convertible to F-2 mounting
- \* Suitable for wye-delta start on 210T frame and larger
- \* Corrosion resistant mill & chemical duty paint
- \* Stainless steel nameplate and zinc plated hardware
- \* Dual Voltage nameplated @ 60Hz and 50 Hz
- \* Full 50 Hz power at rated HP
- \* Div 2 Nameplated
- \* DOE Compliance Certification .
- \* CE mark on nameplate
- \* CSA® 390 Certified
- \* UL® Component Recognized
- \* Field convertible C flange kits available



HP	RPM	Frame	Type	208-230/460 Volt		575Volt		DS-Sym	S.F	Weight	Note	List
				Cat #	M/N	Cat #	M/N					
1	1800	143TC	ELP	ELP1P2DC	EL131	ELP1P2GC	EM131	3ELPC	1.4	67	C	500
	1200	145TC	ELP	ELP1P3DC	EL132	ELP1P3GC	EM132	3ELPC	1.4	70		580
1.5	3600	143TC	ELP	ELP32P1DC	EL133	ELP32P1GC	EM133	3ELPC	1.4	68		530
1.5	1800	145TC	ELP	ELP32P2DC	EL134	ELP32P2GC	EM134	3ELPC	1.4	71	C	530
1.5	1200	182TC	ELP	ELP32P3DC	EL135	ELP32P3GC	EM135	3ELPC	1.4	105		700
2	3600	145TC	ELP	ELP2P1DC	EL136	ELP2P1GC	EM136	3ELPC	1.4	71		580
	1800	145TC	ELP	ELP2P2DC	EL137	ELP2P2GC	EM137	3ELPC	1.4	73		580
	1200	184TC	ELP	ELP2P3DC	EL138	ELP2P3GC	EM138	3ELPC	1.4	117		760
3	3600	182TC	ELP	ELP3P1DC	EL139	ELP3P1GC	EM139	3ELPC	1.4	96		700
	1800	182TC	ELP	ELP3P2DC	EL140	ELP3P2GC	EM140	3ELPC	1.4	121	C	700
	1200	213TC	ELP	ELP3P3DC	EL141	ELP3P3GC	EM141	3ELPC	1.4	237	C	980
5	3600	184TC	ELP	ELP5P1DC	EL142	ELP5P1GC	EM142	3ELPC	1.4	121		800
	1800	184TC	ELP	ELP5P2DC	EL143	ELP5P2GC	EM143	3ELPC	1.3	127	C	800
	1200	215TC	ELP	ELP5P3DC	EL144	ELP5P3GC	EM144	3ELPC	1.3	252	C	1,370
7.5	3600	213TC	ELP	ELP7P1DC	EL145	ELP7P1GC	EM145	3ELPC	1.3	191		1,100
	1800	213TC	ELP	ELP7P2DC	EL146	ELP7P2GC	EM146	3ELPC	1.3	199		1,100
	1200	254TC	ELP	ELP7P3DC	EL147	ELP7P3GC	EM147	3ELPC	1.3	365	C	1,850
10	3600	215TC	ELP	ELP10P1DC	EL148	ELP10PGC	EM148	3ELPC	1.3	205		1,300
	1800	215TC	ELP	ELP10P2DC	EL149	ELP10PGC	EM149	3ELPC	1.3	217		1,300
	1200	256TC	ELP	ELP10P3DC	EL150	ELP10P3GC	EM150	3ELPC	1.3	407	C	2,150
15	3600	254TC	ELP	ELP15P1DC	EL151	ELP15P1GC	EM151	3ELPC	1.3	302		1,750
	1800	254TC	ELP	ELP15P2DC	EL152	ELP15P2GC	EM152	3ELPC	1.3	345	C	1,750
	1200	284TC	ELP	ELP15P3DC	EL153	ELP15P3GC	EM153	3ELPC	1.3	410	C	2,550
20	3600	256TC	ELP	ELP20P1DC	EL154	ELP20P1GC	EM154	3ELPC	1.3	350		2,150
	1800	256TC	ELP	ELP20P2DC	EL155	ELP20P2GC	EM155	3ELPC	1.2	434	C	2,150
	1200	286TC	ELP	ELP20P3DC	EL156	ELP20P3GC	EM156	3ELPC	1.2	460	C	3,350
25	3600	284TSC	ELP	ELP25P1DSC	EL157	ELP25P1GSC	EM157	3ELPC	1.2	387		2,550
	1800	284TC	ELP	ELP25P2DC	EL158	ELP25P2GC	EM158	3ELPC	1.2	436	C	2,550
30	3600	286TSC	ELP	ELP30P1DSC	EL159	ELP30P1GSC	EM159	3ELPC	1.2	429		2,950
	1800	286TC	ELP	ELP30P2DC	EL160	ELP30P2GC	EM160	3ELPC	1.2	480	C	2,950

Note C - meet Design C torque



# KITS & PARTS LIST PRICE



## C-Face Kits

Frame	AK Dim	M/N	List
140	4 1/2	498321	90
180	8 1/2	498322	90
210	8 1/2	498323	100
250	8 1/2	498324	150
280	10 1/2	498325	200

## Cast Iron Conduit Box

Frame	M/N	List
140	498326	95
180	498327	110
210	498328	120
250	498329	150
280	498330	160

## Standard Plastic Fans

Frame	Poles	M/N	List
140	2p=2	899720	12
140	2p=4,6,8	498336	12
180	2p=2	899721	21
180	2p=4,6,8	899721	21
210	2p=2	899721	21
210	2p=4,6,8	899721	21
250	2p=2	899723	38
250	2p=4,6,8	498339	45
280	2p=2	899723	38
280	2p=4,6,8	498339	45

## Special Fans (Aluminum)

Frame	Poles	M/N	List
140	2p=2	899725	45
140	2p=4,6,8	498341	50
180	2p=2	899726	60
180	2p=4,6,8	498342	60
210	2p=2	899726	100
210	2p=4,6,8	899726	100
250	2p=2	899728	125
250	2p=4,6,8	498344	140
280	2p=2	899728	140
280	2p=4,6,8	498344	140

## Cast Iron Fan Cover Guard

Frame	M/N	List
140	498331	62
180	498332	75
213	498333	100
215	New	110
250	498334	130
280	498335	160

## Steel Fan Cover Guard

Frame	M/N	List
140	ELTSFCG140	80
180	ELTSFCG180	90
213	ELTSFCG210	100
215	ELTSFCG215	100
250	ELTSFCG250	130
280	ELTSFCG280	140

## Terminal Block Kits :

Frame	M/N	List
140	TBA	90
180 & 210	TBA	100
250 & 280	TBA	120

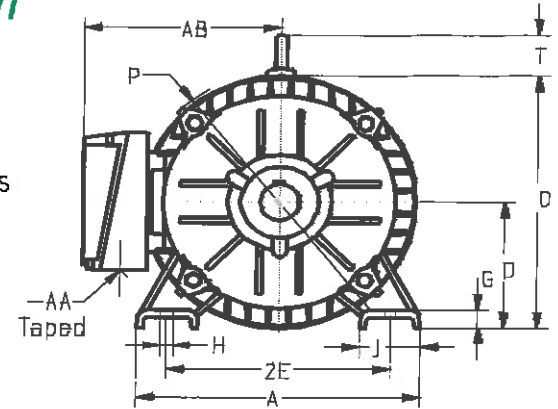
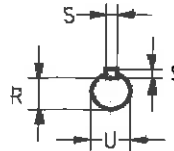
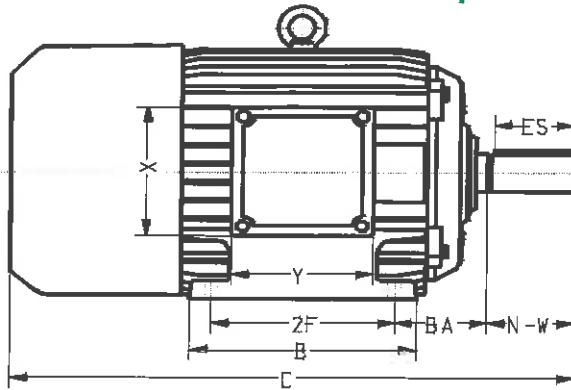
## External Cooling fan kit:

Frame	M/N	List
140	TBA	TBA
180	TBA	TBA
213	TBA	TBA
215	TBA	TBA
250	TBA	TBA
280	TBA	TBA

# MOUNTING AND OVERALL DIMENSIONS



Foot-mounted, Cast Iron FCG & TB, NEMA-Frames



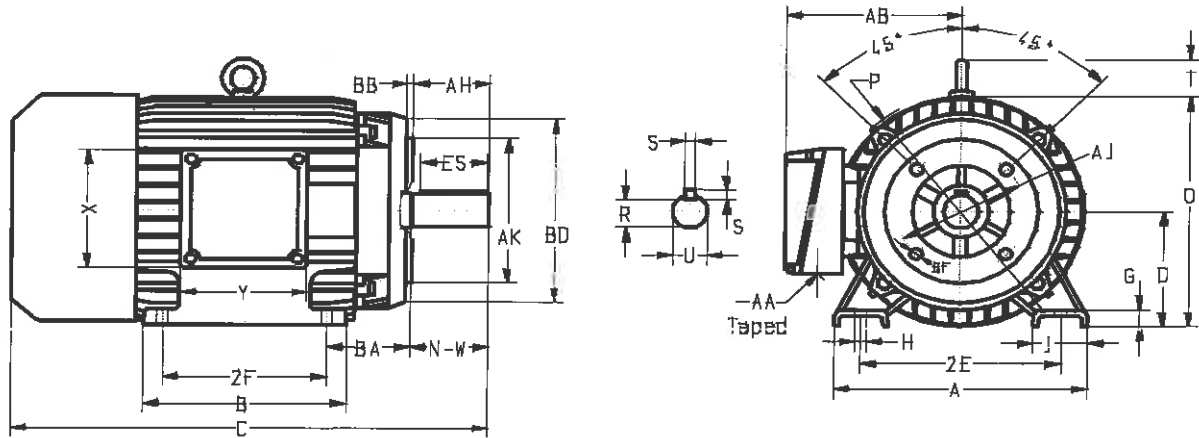
Frame	Mounting dimensions (inches)												
	A	B	D	2E	2F	H	R	S	U	N-W	AA	BA	ES
143T	6.62	5.83	3.50	5.50	4.00	0.34	0.771	0.188	0.875	2.25	0.75	2.75	1.52
145T	6.62	7.00	3.50	5.50	5.00	0.34	0.771	0.188	0.875	2.25	0.75	2.75	1.52
182T	9.00	8.31	4.50	7.50	4.51	0.41	0.986	0.250	1.125	2.75	1.00	3.50	1.94
184T	9.00	8.31	4.50	7.50	5.51	0.41	0.986	0.250	1.125	2.75	1.00	3.50	1.94
213T	10.24	9.60	5.25	8.50	5.50	0.41	1.201	0.312	1.375	3.38	1.00	4.25	2.55
215T	10.24	9.60	5.25	8.50	7.00	0.41	1.201	0.312	1.375	3.38	1.00	4.25	2.55
254T	12.28	9.92	6.25	10.00	8.25	0.55	1.416	0.375	1.625	4.00	1.25	4.75	3.11
256T	12.28	11.65	6.25	10.00	10.00	0.55	1.416	0.375	1.625	4.00	1.25	4.75	3.11
284T	13.78	13.11	7.00	11.00	9.50	0.55	1.591	0.500	1.875	4.62	1.50	4.75	3.53
284TS	13.78	13.11	7.00	11.00	9.50	0.55	1.416	0.375	1.625	3.25	1.50	4.75	2.10
286T	13.78	13.11	7.00	11.00	11.00	0.55	1.591	0.500	1.875	4.62	1.50	4.75	3.53
286TS	13.78	13.11	7.00	11.00	11.00	0.55	1.416	0.375	1.625	3.25	1.50	4.75	2.10

Frame	Overall dimensions (inches)									
	C	G	J	O	P	T	AB	X	Y	Bearing No
143T	13.20	0.39	1.66	7.48	8.27	-	5.91	3.78	3.78	6205 2Z
145T	14.38	0.39	1.66	7.48	8.27	-	5.91	3.78	3.78	6205 2Z
182T	16.93	0.60	2.13	9.09	9.53	1.77	7.90	5	5	6306 2Z
184T	16.93	0.60	2.13	9.09	9.53	1.77	7.90	5	5	6306 2Z
213T	20.82	0.60	2.20	10.97	11.14	2.08	8.92	5	5	6308/6306 2Z
215T	22.07	0.60	2.20	10.97	11.14	2.08	8.92	5	5	6308/6306 2Z
254T	24.20	0.58	2.36	13.18	14.17	2.08	10.08	5.55	5.16	6309 2Z
256T	25.93	0.58	2.36	13.18	14.17	2.08	10.08	5.55	5.16	6309 2Z
284T	28.78	0.89	2.75	14.01	14.17	2.08	10.34	5.55	5.16	6311 2Z
284TS	27.41	0.89	2.75	14.01	14.17	2.08	10.34	5.55	5.16	6311 2Z
286T	28.78	0.89	2.75	14.01	14.17	2.08	10.34	5.55	5.16	6311 2Z
286TS	27.41	0.89	2.75	14.01	14.17	2.08	10.34	5.55	5.16	6311 2Z

# MOUNTING AND OVERALL DIMENSIONS



Foot-C face-mounted, Cast Iron FCG & TB, NEMA-Frames



Frame	Mounting dimensions (inches)															
	A	B	D	2E	2F	H	R	S	U	AH	AJ	AK	BA	BB	BD	ES
143TC	6.62	5.83	3.50	5.50	4.00	0.34	0.771	0.188	0.875	2.12	5.875	4.50	2.75	0.16	6.50	1.52
145TC	6.62	7.00	3.50	5.50	5.00	0.34	0.771	0.188	0.875	2.12	5.875	4.50	2.75	0.16	6.50	1.52
182TC	9.00	8.31	4.50	7.50	4.51	0.41	0.986	0.250	1.125	2.62	7.250	8.50	3.50	0.25	8.90	1.94
184TC	9.00	8.31	4.50	7.50	5.51	0.41	0.986	0.250	1.125	2.62	7.250	8.50	3.50	0.25	8.90	1.94
213TC	10.24	9.60	5.25	8.50	5.50	0.41	1.201	0.312	1.375	3.12	7.250	8.50	4.25	0.25	8.90	2.55
215TC	10.24	9.60	5.25	8.50	7.00	0.41	1.201	0.312	1.375	3.12	7.250	8.50	4.25	0.25	8.90	2.55
254TC	12.28	9.92	6.25	10.00	8.25	0.55	1.416	0.375	1.625	3.75	7.250	8.50	4.75	0.25	10.00	3.11
256TC	12.28	11.65	6.25	10.00	10.00	0.55	1.416	0.375	1.625	3.75	7.250	8.50	4.75	0.25	10.00	3.11
284TC	13.78	13.11	7.00	11.00	9.50	0.55	1.591	0.500	1.875	4.38	9.000	10.50	4.75	0.25	11.25	3.53
284TSC	13.78	13.11	7.00	11.00	9.50	0.55	1.416	0.375	1.625	3.00	9.000	10.50	4.75	0.25	11.25	2.10
286TC	13.78	13.11	7.00	11.00	11.00	0.55	1.591	0.500	1.875	4.38	9.000	10.50	4.75	0.25	11.25	3.53
286TSC	13.78	13.11	7.00	11.00	11.00	0.55	1.416	0.375	1.625	3.00	9.000	10.50	4.75	0.25	11.25	2.10

Frame	Overall dimensions (inches)												
	C	G	J	O	P	T	N-W	AA	AB	TAP	X	Y	Bearing No
143TC	13.70	0.39	1.66	7.48	8.27	-	2.25	0.75	5.91	3/8/2016	3.78	3.78	6205 2Z
145TC	14.88	0.39	1.66	7.48	8.27	-	2.25	0.75	5.91	3/8/2016	3.78	3.78	6205 2Z
182TC	17.68	0.60	2.13	9.09	9.53	1.77	2.75	1.00	7.90	1/2/2013	5	5	6306 2Z
184TC	17.68	0.60	2.13	9.09	9.53	1.77	2.75	1.00	7.90	1/2/2013	5	5	6306 2Z
213TC	21.57	0.60	2.20	10.97	11.14	2.08	3.38	1.00	8.92	1/2/2013	5	5	6308/6306 2Z
215TC	22.82	0.60	2.20	10.97	11.14	2.08	3.38	1.00	8.92	1/2/2013	5	5	6308/6306 2Z
254TC	24.70	0.58	2.36	13.18	14.17	2.08	4.00	1.25	10.08	1/2/2013	5.55	5.16	6309 2Z
256TC	26.43	0.58	2.36	13.18	14.17	2.08	4.00	1.25	10.08	1/2/2013	5.55	5.16	6309 2Z
284TC	28.78	0.89	2.75	14.01	14.17	2.08	4.62	1.50	10.34	1/2/2013	5.55	5.16	6311 2Z
284TSC	27.41	0.89	2.75	14.01	14.17	2.08	3.25	1.50	10.34	1/2/2013	5.55	5.16	6311 2Z
286TC	28.78	0.89	2.75	14.01	14.17	2.08	4.62	1.50	10.34	1/2/2013	5.55	5.16	6311 2Z
286TSC	27.41	0.89	2.75	14.01	14.17	2.08	3.25	1.50	10.34	1/2/2013	5.55	5.16	6311 2Z

**GENERAL PURPOSE**  
**THREE PHASE, TEFC SEVERE DUTY**  
**PREMIUM EFFICIENT - ALL CAST IRON**



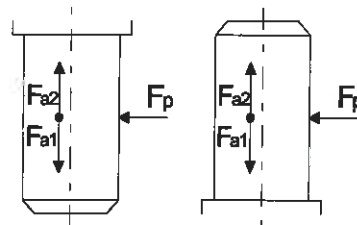
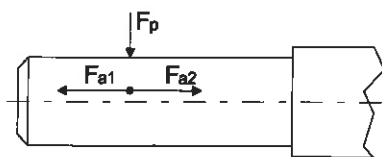
**Maximum mechanical Speed range for Variable Frequency Drive**

Frame sizes	2 poles	4 poles	6 poles	8 poles
	RPM			
140	5000	5000	3000	2500
180	5000	5000	3000	2500
210	5000	5000	3000	2500
250	4000	4000	2700	2000
280	4000	4000	2700	2000

**De- Rating Factors.** Relation between motor's HP and Ambient Temperature and Altitude

Amb Temperature		40°C	45°C	50°C	55°C	60°C	65°C
Altitude		Factor correction to be applied to HP or S.F of the motor					
Feet	Meters						
3300	1000	1.00	0.96	0.90	0.86	0.82	0.73
4900	1500	0.97	0.93	0.87	0.83	0.80	0.70
6500	2000	0.94	0.90	0.85	0.81	0.77	0.69
8200	2500	0.90	0.86	0.81	0.77	0.74	0.66
10000	3000	0.86	0.83	0.77	0.74	0.71	0.63
11500	3500	0.82	0.79	0.74	0.71	0.67	0.60
13000	4000	0.77	0.74	0.70	0.66	0.63	0.56

**Shaft Load limit**



Load in KN

Frame	Horizontal Position			Vertical mounting		
	Pole	F <sub>p</sub>	F <sub>a1</sub> = F <sub>a2</sub>	F <sub>p</sub>	F <sub>a1</sub>	F <sub>a2</sub>
140	4	0.78	0.44	0.78	0.35	0.38
	6	0.96	0.44	0.96	0.35	0.38
180	2	1.00	0.48	1.00	0.40	0.45
	4	1.45	0.48	1.40	0.40	0.45
210	6	1.62	0.48	1.60	0.40	0.45
	2	1.82	0.66	1.90	0.43	0.60
250	4	2.10	0.66	2.20	0.45	0.60
	6	2.80	0.66	2.80	0.50	0.60
280	2	2.22	0.98	2.30	0.92	0.95
	4	2.40	0.98	2.40	0.92	0.95
280	6	2.85	1.10	2.90	0.98	1.00
	2	2.22	0.98	2.30	0.92	0.95
280	4	3.60	1.30	3.60	1.10	1.30
	6	4.00	1.80	4.10	1.40	1.70



**THREE PHASE, TEFC SEVERE DUTY  
PREMIUM EFFICIENT - ALL CAST IRON**



HP	Frame	Speed		Torque			Amperage (460V)		Amperage (575V)		Efficiency				Power Factor				S.F.	NEMA Code Letter	NEMA Design	MAX KVAR	WK <sup>1</sup> Lb-Ft <sup>1</sup>	Net Weight Lbs	Bearing System		Noise Level dB(A)
		Sync (rpm)	Full Load (rpm)	FL (Lb-Ft)	LRT (%)	DOT (%)	FL (A)	LRA (A)	FL (A)	LRA (A)	75% Load	75% Load	75% Load	75% Load	75% Load	75% Load	75% Load	75% Load							DE	ODE	
1	143T	1800	1765	3.0	300	320	1.4	12.9	1.1	10.3	70.5	81.3	84.5	85.5	37.0	57.0	70.0	78.0	1.40	M	B	0.7	0.09	53	6205 2Z	6205 2Z	64
1	145T	1200	1160	4.5	240	300	1.7	10.0	1.4	8.0	67.0	78.8	81.9	82.5	28.0	46.0	59.0	68.0	1.40	K	B	1.0	0.15	55	6205 2Z	6205 2Z	63
1.5	143T	3600	3540	2.3	350	410	2.1	20.0	1.7	16.0	69.0	79.8	83.2	84.0	38.0	57.0	69.0	78.0	1.40	M	B	1.0	0.07	56	6205 2Z	6205 2Z	80
1.5	145T	1800	1750	4.5	300	400	2.1	16.6	1.6	13.3	77.1	85.0	86.8	86.5	38.0	59.0	72.0	79.0	1.40	K	B	1.0	0.10	57.0	6205 2Z	6205 2Z	66
1.5	182T	1200	1170	6.7	190	280	2.4	14.0	1.9	11.2	75.4	84.5	86.9	87.5	29.0	47.0	59.0	68.0	1.40	J	B	1.4	0.4	85	6306 2Z	6306 2Z	63
2	145T	3600	3525	3.0	360	400	2.7	25.4	2.2	20.3	74.4	83.3	85.7	85.5	41.0	62.0	75.0	82.0	1.40	L	B	1.2	0.08	57	6205 2Z	6205 2Z	79
2	145T	1800	1745	6.1	260	340	2.6	19.2	2.2	15.4	78.5	85.8	87.1	86.5	43.0	64.0	77.0	83.0	1.40	J	B	1.2	0.13	59	6205 2Z	6205 2Z	67
2	184T	1200	1170	9.0	200	300	3	25.0	2.4	20.0	79.3	86.9	88.6	88.5	32.0	51.0	64.0	72.0	1.40	L	B	1.7	0.45	98	6306 2Z	6306 2Z	65
3	182T	3600	3500	4.5	310	320	4	32.0	3.2	25.6	75.6	84.4	86.4	86.5	44.0	65.0	76.0	82.0	1.40	K	B	1.8	0.12	76	6306 2Z	6306 2Z	79
3	182T	1800	1775	9.0	320	400	4.2	38.0	3.4	30.4	77.1	85.8	88.5	89.5	34.0	54.0	67.0	75.0	1.40	M	A	2.2	0.27	102	6306 2Z	6306 2Z	71
3	213T	1200	1165	13.5	260	360	4.2	32.0	3.4	25.6	80.9	88.0	89.5	89.5	36.0	56.0	68.0	74.0	1.40	K	B	2.3	1.45	205	6308 2Z	6308 2Z	65
5	184T	3600	3535	7.4	450	530	6.2	73.0	5.0	58.4	78.9	86.7	88.6	89.0	46.0	68.0	80.0	85.0	1.40	N	A	2.6	0.2	102	6306 2Z	6306 2Z	75
5	184T	1800	1770	14.8	300	380	6.7	61.0	5.4	48.8	80.6	87.6	89.2	89.5	37.0	58.0	71.0	78.0	1.30	L	A	3.3	0.34	108	6306 2Z	6306 2Z	71
5	215T	1200	1170	22.4	250	350	7.0	46.0	5.6	36.8	81.2	88.2	89.6	89.5	37.0	57.0	69.0	75.0	1.30	J	B	3.7	1.56	220	6308 2Z	6308 2Z	69
7.5	213T	3600	3525	11.2	290	315	8.5	76.0	6.8	60.8	82.5	88.7	90.0	89.5	61.0	81.0	89.0	92.0	1.30	K	A	2.7	0.45	159	6308 2Z	6308 2Z	78
7.5	213T	1800	1765	22.3	235	290	9.3	71.0	7.4	56.8	84.1	90.5	91.6	91.7	48.0	67.0	78.0	82.0	1.30	J	A	4.2	0.87	167	6308 2Z	6308 2Z	75
7.5	254T	1200	1185	33.2	320	350	10.4	77.5	8.3	62.0	81.1	88.6	90.6	91.0	34.0	54.0	67.0	74.0	1.30	K	A	5.6	2.62	321	6309 2Z	6309 2Z	69
10	215T	3600	3535	14.8	300	335	11.4	93.0	9.1	74.4	83.5	89.3	90.4	90.2	58.0	80.0	88.0	91.0	1.30	J	A	3.8	0.5	173	6308 2Z	6308 2Z	82
10	215T	1800	1770	29.6	230	280	12.5	87.0	10.0	69.6	84.0	90.4	91.7	91.7	46.0	66.0	77.0	82.0	1.30	H	A	5.7	0.99	185	6308 2Z	6308 2Z	74
10	256T	1200	1180	44.5	290	330	13.4	94.0	10.7	75.2	82.0	89.2	90.8	91.0	36.0	58.0	70.0	77.0	1.30	J	A	6.8	3.31	363	6309 2Z	6309 2Z	70
15	254T	3600	3540	22.3	240	250	17.6	112.0	14.1	90.0	84.9	90.5	91.8	91.7	57.0	77.0	85.0	87.0	1.30	G	B	6.9	1.15	258	6309 2Z	6309 2Z	85
15	254T	1800	1775	44.3	380	440	17.3	168.0	13.8	134.0	84.8	90.7	92.0	92.4	54.0	76.0	84.0	88.0	1.30	K	A	6.5	2.89	301	6309 2Z	6309 2Z	78
15	284T	1200	1185	66.4	470	380	19.5	180.0	15.6	144.0	82.0	89.0	91.2	91.7	40.0	61.0	73.0	79.0	1.30	L	A	9.5	5.19	371	6311 2Z	6311 2Z	74
20	256T	3600	3540	29.7	230	260	22.9	138.0	18.3	110.0	87.1	91.7	92.4	91.7	64.0	82.0	88.0	89.0	1.30	F	B	8.3	1.47	306	6309 2Z	6309 2Z	86
20	256T	1800	1775	59.1	380	450	22.9	230.0	18.3	184.0	85.9	91.4	92.7	93.0	55.0	76.0	84.0	88.0	1.20	L	A	8.7	3.57	390	6309 2Z	6309 2Z	77
20	286T	1200	1185	88.5	380	320	25.5	221.0	20.4	177.0	81.9	89.1	91.1	91.7	42.0	63.0	74.0	80.0	1.20	L	A	12.2	6.03	421	6311 2Z	6311 2Z	78
25	284TS	3600	3555	36.9	280	300	29.5	205.0	23.8	164.0	85.9	91.3	92.4	92.4	54.0	74.0	82.0	86.0	1.20	H	A	12.0	1.72	348	6311 2Z	6311 2Z	85
25	284T	1800	1780	73.7	380	420	30.5	300.0	24.4	240.0	85.6	91.6	93.1	93.6	44.0	66.0	76.0	82.0	1.20	L	A	13.9	3.59	397	6311 2Z	6311 2Z	78
30	286TS	3600	3540	44.5	250	300	35.2	215.0	28.2	172.0	86.0	91.2	92.0	91.7	64.0	80.0	85.0	87.0	1.20	G	A	13.8	1.92	390	6311 2Z	6311 2Z	88
30	286T	1800	1780	88.5	370	390	37.5	350.0	30.0	280.0	84.8	91.3	93.0	93.6	39.0	61.0	73.0	80.0	1.20	L	A	17.9	3.84	441	6311 2Z	6311 2Z	78